

1 ROLL-UP DOOR
N.T.S.

LEFT END VIEW

OPENING HEIGHT

DOOR WIDTH OPENING

EXTERIOR ELEVATION

HANDLE

BOTTOM BAR

LATCH

CURTAIN

ADA COMPLIANCE



DOORS & BUILDING COMPONENTS
4845 TIMBER RIDGE ROAD
DOUGLASVILLE, GA 30136
TOLL FREE 800-542-0901
PHONE 770-942-0601
FAX 770-947-5335
www.dbcil.com
sales@dbcil.com
© 2000 DBCI ALL RIGHTS RESERVED

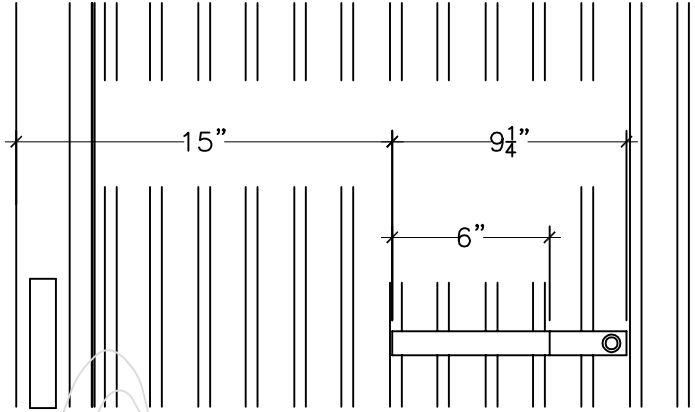
DBCI PREPARED THESE DRAWINGS SOLELY TO ASSIST CUSTOMER IN EVALUATING DBCI'S PROPOSAL AND VISUALIZING ITS PROPOSED SCOPE OF WORK. BY ACCEPTING SAME, CUSTOMER AGREES THAT THESE DRAWINGS SHALL BE USED SOLELY FOR THESE PURPOSES AND ONLY IN CONNECTION WITH BUSINESS DEALINGS BETWEEN DBCI AND CUSTOMER. CUSTOMER AGREES TO KEEP THESE DRAWINGS CONFIDENTIAL, AND NOT DISCLOSE THEM TO ANY THIRD PARTY WITHOUT DBCI'S PRIOR WRITTEN CONSENT. DBCI DISCLAIMS LIABILITY FOR ANY UNAUTHORIZED USE OR DISSEMINATION OF THESE DRAWINGS. THESE DRAWINGS ARE NOT TO BE USED FOR ANY OTHER PURPOSES. THESE DRAWINGS, EITHER EXPRESS OR IMPLIED, INCLUDING BUT NOT LIMITED TO THE IMPLIED WARRANTIES OF MERCHANTABILITY AND FITNESS FOR A PARTICULAR PURPOSE, ARE HEREBY DISCLAIMED.

APPROVAL DRAWING	<input checked="" type="checkbox"/>	SIGNATURE	<input checked="" type="checkbox"/>
DATE	<input checked="" type="checkbox"/>	DATE	<input checked="" type="checkbox"/>
DESIGNER	<input checked="" type="checkbox"/>	DATE	<input checked="" type="checkbox"/>
SCALE	<input checked="" type="checkbox"/>	DATE	<input checked="" type="checkbox"/>
JOB NUMBER	<input checked="" type="checkbox"/>	DATE	<input checked="" type="checkbox"/>
PROJECT	<input checked="" type="checkbox"/>	DATE	<input checked="" type="checkbox"/>
SHEET	<input checked="" type="checkbox"/>	DATE	<input checked="" type="checkbox"/>

D1

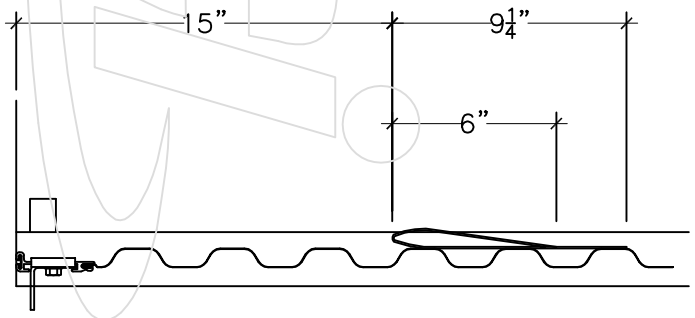
1

ENLARGED ELEVATION
N.T.S.



2

ENLARGED SECTION
N.T.S.



ADA COMPLIANCE



DOORS & BUILDING COMPONENTS
4845 TIMBER RIDGE ROAD
DOUGLASSVILLE, GA 30136
TOLL FREE: 800-542-0901
PHONE 770-942-0601
FAX 770-947-5335
www.dbc.com
sales@dbc.com
© 2000 DBCI ALL RIGHTS RESERVED

DBCI PREPARED THESE DRAWINGS SOLELY TO ASSIST CUSTOMER IN EVALUATING DBCI'S PROPOSAL AND VISUALIZING ITS PROPOSED SCOPE OF WORK. BY ACCEPTING SAME, CUSTOMER AGREES THAT THESE DRAWINGS SHALL BE USED SOLELY FOR THESE PURPOSES AND ONLY IN CONNECTION WITH BUSINESS DEALINGS BETWEEN DBCI AND CUSTOMER. CUSTOMER AGREES TO KEEP THESE DRAWINGS CONFIDENTIAL, AND NOT DISCLOSE THEM TO ANY THIRD PARTY WITHOUT DBCI'S PRIOR WRITTEN CONSENT. DBCI DISCLAIMS LIABILITY FOR ANY UNAUTHORIZED USE OR REPRODUCTION OF THESE DRAWINGS. THESE DRAWINGS ARE PROVIDED AS IS WITHOUT WARRANTY OF MERCHANTABILITY AND FITNESS FOR A PARTICULAR PURPOSE. - SAME BEING HEREBY DISCLAIMED.

APPROVAL DRAWINGS	<input checked="" type="checkbox"/>
SIGNATURE	<input checked="" type="checkbox"/>
DATE	<input checked="" type="checkbox"/>
DESIGNER	LBI
DATE	10-27-05
SCALE	N.T.S.
JOB NUMBER	
PROJECT	
SHEET	D2

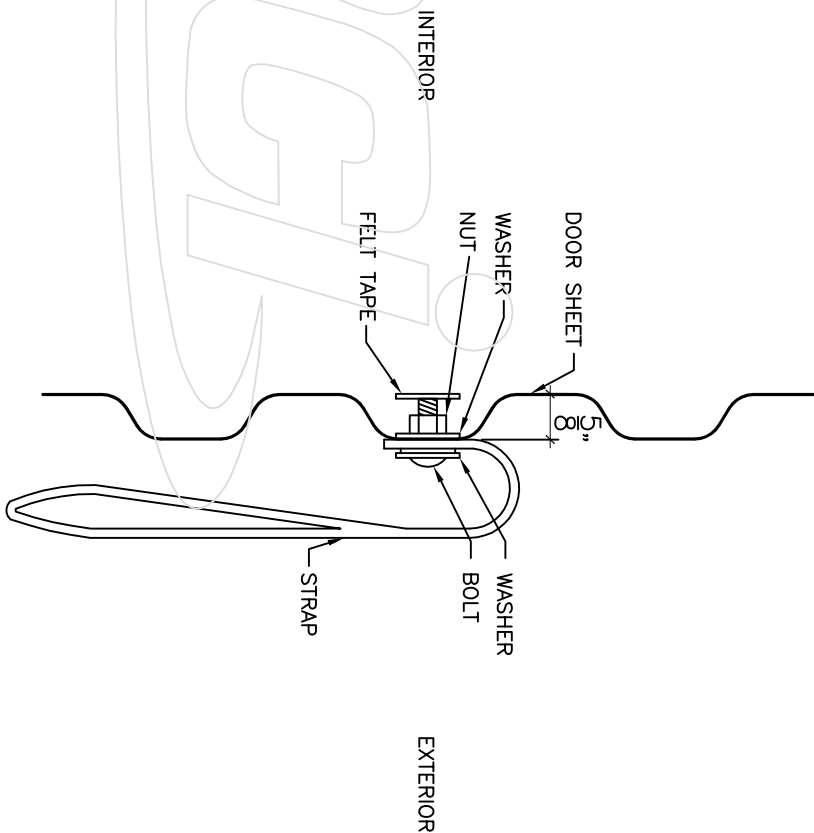
ICC/ANSI A117.1-2003
 2003 AMERICAN NATIONAL STANDARD
 ACCESSIBLE AND USABLE BUILDINGS AND FACILITIES

404.2.6 DOOR HARDWARE. HANDLES, PULLS, LATCHES, LOCKS, AND OTHER OPERABLE PARTS ON ACCESSIBLE DOORS SHALL HAVE A SHAPE THAT IS EASY TO GRASP WITH ONE HAND AND DOES NOT REQUIRE TIGHT GRASPING, PINCHING, OR TWISTING OF THE WRIST TO OPERATE. OPERABLE PARTS OF SUCH HARDWARE SHALL BE 3/4 INCHES (865 MM) MINIMUM AND 48 INCHES (1220 MM) MAXIMUM ABOVE THE FLOOR. WHERE SLIDING DOORS ARE IN THE FULLY OPEN POSITION, OPERATING HARDWARE SHALL BE EXPOSED AND USABLE FROM BOTH SIDES.

4004.2.8 DOOR--OPENING FORCE. FIRE DOORS SHALL HAVE A MINIMUM OPENING FORCE ALLOWABLE BY THE APPROPRIATE ADMINISTRATIVE AUTHORITY. THE FORCE FOR PUSHING OR PULLING OPEN DOORS OTHER THAN FIRE DOORS SHALL BE AS FOLLOWS:

1. INTERIOR HINGED DOOR: 5.0 POUNDS (22.2N) MAXIMUM
2. SLIDING OR FOLDING DOOR: 5.0 POUNDS (22.2N) MAXIMUM

THESE FORCES DO NOT APPLY TO THE FORCE REQUIRED TO RETRACT LATCH BOLTS OR DISENGAGE OTHER DEVICES THAT HOLD THE DOOR IN A CLOSED POSITION.



- NOTES
1. MOUNT STRAP TO HIGH RIB
 2. BOLT NOT TO GO PAST BACKSIDE OF DOOR RIB AS SHOWN.

1 ADA HANDLE ASSEMBLY
 N.T.S.

<p>ADA COMPLIANCE</p>		<p>DOORS & BUILDING COMPONENTS 4845 TIMBER RIDGE ROAD DOUGLASVILLE, GA 30136 TOLL FREE 800-542-0901 PHONE 770-942-0601 FAX 770-947-4335 www.dbci.com info@dbci.com © 2000 DBCI ALL RIGHTS RESERVED</p>	<p>DBCI PREPARED THESE DRAWINGS SOLELY TO ASSIST CUSTOMER IN EVALUATING DBCI'S PROPOSAL AND VISUALIZING ITS PROPOSED SCOPE OF WORK. BY ACCEPTING SAME, CUSTOMER AGREES THAT THESE DRAWINGS SHALL BE USED SOLELY FOR THESE PURPOSES AND ONLY IN CONNECTION WITH BUSINESS DEALINGS BETWEEN DBCI AND CUSTOMER. CUSTOMER AGREES TO KEEP THESE DRAWINGS CONFIDENTIAL, AND NOT DISCLOSE THEM TO ANY THIRD PARTY WITHOUT DBCI'S PRIOR WRITTEN CONSENT. DBCI DISCLAIMS LIABILITY FOR ANY UNAUTHORIZED USE OR REPRODUCTION OF THESE DRAWINGS.</p> <p>ALL DIMENSIONS ARE IN INCHES UNLESS OTHERWISE SPECIFIED. DIMENSIONS REQUIRED BY THESE DRAWINGS, OTHER EXPRESS OR IMPLIED, INCLUDING BUT NOT LIMITED TO THE IMPLIED WARRANTIES OF MERCHANTABILITY AND FITNESS FOR A PARTICULAR PURPOSE, ARE HEREBY DISCLAIMED.</p>																																																				
<table border="1" style="width: 100%; border-collapse: collapse;"> <tr> <td style="width: 20%; text-align: center;">APPROVAL DRAWINGS</td> <td style="width: 20%;"></td> <td style="width: 20%;"></td> <td style="width: 40%;"></td> </tr> <tr> <td style="text-align: center;">SIGNATURE</td> <td style="text-align: center;">DATE</td> <td style="text-align: center;">JOB NUMBER</td> <td style="text-align: center;">SCALE</td> </tr> <tr> <td style="text-align: center;">X</td> <td style="text-align: center;">X</td> <td style="text-align: center;">N.T.S.</td> <td style="text-align: center;">N.T.S.</td> </tr> <tr> <td style="text-align: center;">DRAWN</td> <td style="text-align: center;">DATE</td> <td style="text-align: center;">JOB NUMBER</td> <td style="text-align: center;">SCALE</td> </tr> <tr> <td style="text-align: center;">LBI</td> <td style="text-align: center;">-</td> <td style="text-align: center;">-</td> <td style="text-align: center;">-</td> </tr> <tr> <td style="text-align: center;">DATE</td> <td style="text-align: center;">DATE</td> <td style="text-align: center;">JOB NUMBER</td> <td style="text-align: center;">SCALE</td> </tr> <tr> <td style="text-align: center;">10-27-05</td> <td style="text-align: center;">-</td> <td style="text-align: center;">-</td> <td style="text-align: center;">-</td> </tr> <tr> <td style="text-align: center;">DRAWN</td> <td style="text-align: center;">DATE</td> <td style="text-align: center;">JOB NUMBER</td> <td style="text-align: center;">SCALE</td> </tr> <tr> <td style="text-align: center;">-</td> <td style="text-align: center;">-</td> <td style="text-align: center;">-</td> <td style="text-align: center;">-</td> </tr> <tr> <td style="text-align: center;">DATE</td> <td style="text-align: center;">DATE</td> <td style="text-align: center;">JOB NUMBER</td> <td style="text-align: center;">SCALE</td> </tr> <tr> <td style="text-align: center;">-</td> <td style="text-align: center;">-</td> <td style="text-align: center;">-</td> <td style="text-align: center;">-</td> </tr> <tr> <td style="text-align: center;">DRAWN</td> <td style="text-align: center;">DATE</td> <td style="text-align: center;">JOB NUMBER</td> <td style="text-align: center;">SCALE</td> </tr> <tr> <td style="text-align: center;">-</td> <td style="text-align: center;">-</td> <td style="text-align: center;">-</td> <td style="text-align: center;">-</td> </tr> </table>				APPROVAL DRAWINGS				SIGNATURE	DATE	JOB NUMBER	SCALE	X	X	N.T.S.	N.T.S.	DRAWN	DATE	JOB NUMBER	SCALE	LBI	-	-	-	DATE	DATE	JOB NUMBER	SCALE	10-27-05	-	-	-	DRAWN	DATE	JOB NUMBER	SCALE	-	-	-	-	DATE	DATE	JOB NUMBER	SCALE	-	-	-	-	DRAWN	DATE	JOB NUMBER	SCALE	-	-	-	-
APPROVAL DRAWINGS																																																							
SIGNATURE	DATE	JOB NUMBER	SCALE																																																				
X	X	N.T.S.	N.T.S.																																																				
DRAWN	DATE	JOB NUMBER	SCALE																																																				
LBI	-	-	-																																																				
DATE	DATE	JOB NUMBER	SCALE																																																				
10-27-05	-	-	-																																																				
DRAWN	DATE	JOB NUMBER	SCALE																																																				
-	-	-	-																																																				
DATE	DATE	JOB NUMBER	SCALE																																																				
-	-	-	-																																																				
DRAWN	DATE	JOB NUMBER	SCALE																																																				
-	-	-	-																																																				

D3